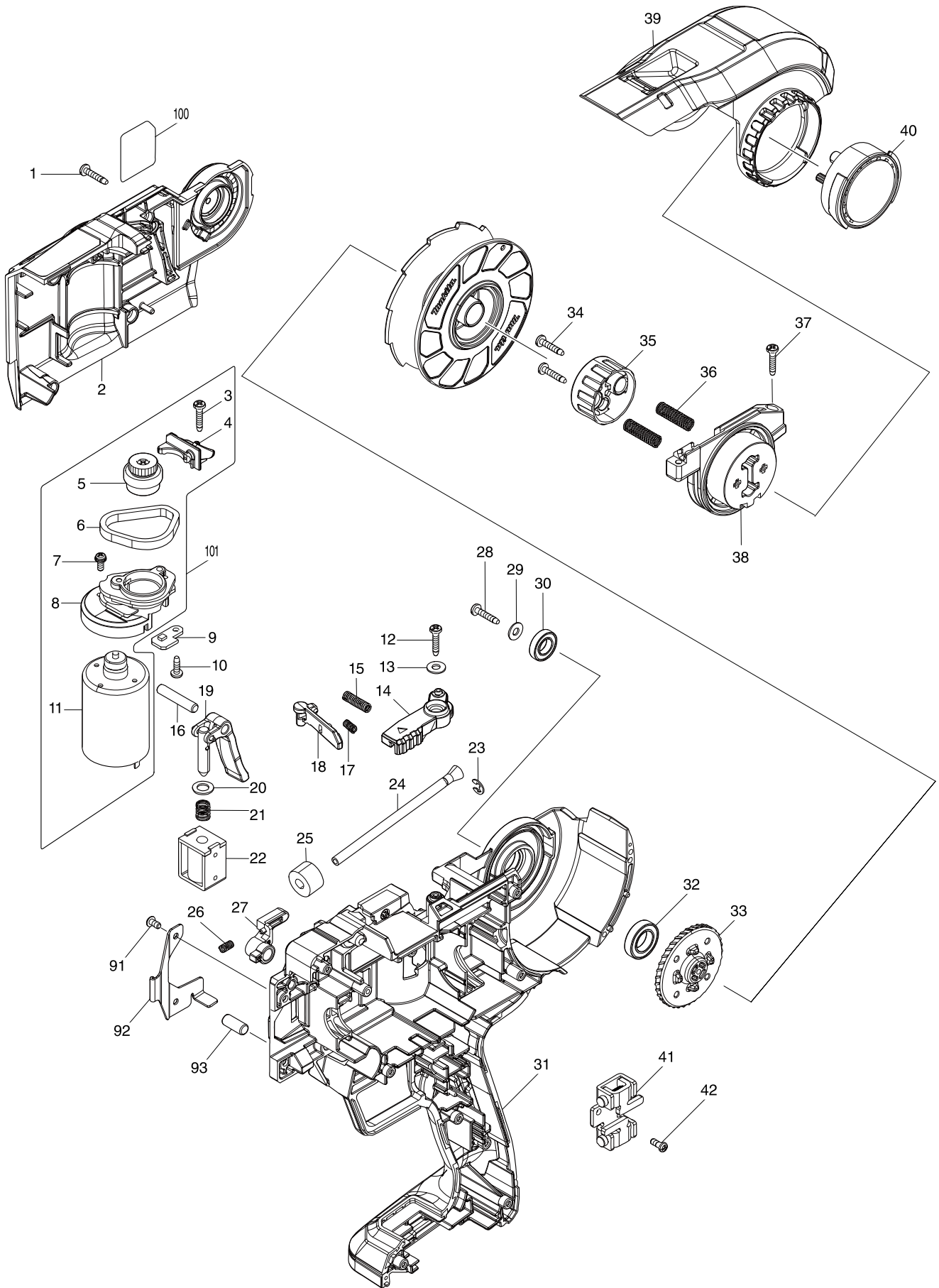
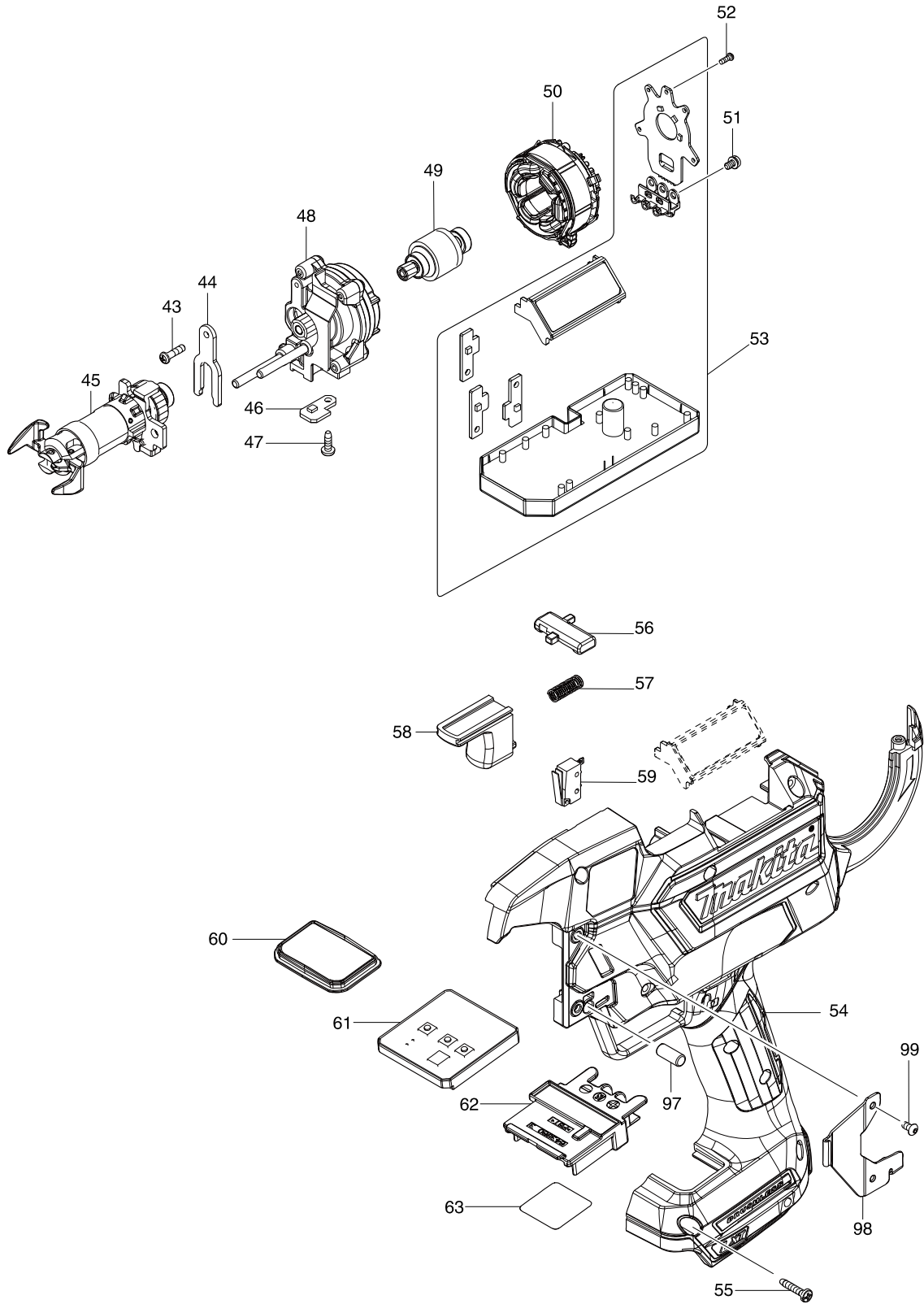


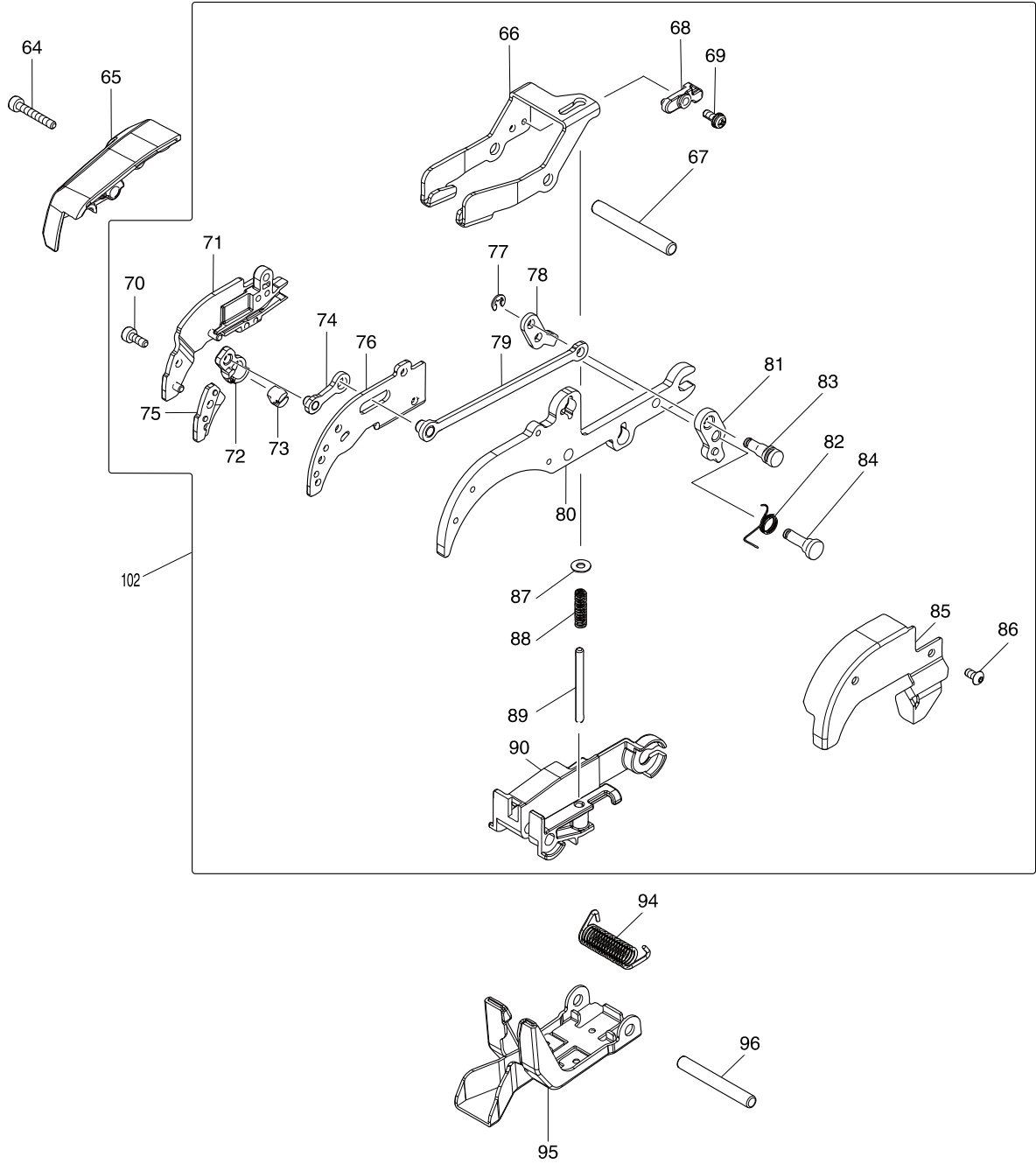
Model No. DTR180 CORDLESS REBAR TYING TOOL



Model No. DTR180 CORDLESS REBAR TYING TOOL



Model No. DTR180 CORDLESS REBAR TYING TOOL



Model No. DTR180 CORDLESS REBAR TYING TOOL

Item	Parts No.	Description	I/C	Qty	N/O	Opt. 1	Opt. 2	Note
001	266130-9	TAPPING SCREW BIND PT 3X16		4				
002	140B66-1	HOUSING COVER COMPLETE		1				
C10	817A35-8	INDICATION LABEL A		1				
C20	817A42-1	CAUTION LABEL A		1				
C30	817A44-7	CAUTION LABEL B		1				
003	266130-9	TAPPING SCREW BIND PT 3X16		1				
004	310864-7	WIRE GUIDE A		1				
005	135968-2	SPUR GEAR 30A ASSEMBLY		1				
006	422247-0	SPONGE SHEET A		1				
007	911008-8	PAN HEAD SCREW M3X8		2				
008	458222-0	MOTOR BASE		1				
009	620913-5	SENSOR CIRCUIT		1				
010	266007-8	TAPPING SCREW BIND PT 3X10		1				
011	629346-1	DC MOTOR		1				
012	266130-9	TAPPING SCREW BIND PT 3X16		1				
013	941051-3	FLAT WASHER 4		1				
014	135969-0	RELEASE LEVER ASSY		1				
015	232443-0	COMPRESSION SPRING 3		1				
016	256098-7	PIN 5		1				
017	232442-2	COMPRESSION SPRING 3		1				
018	458223-8	LOCK LEVER		1				
019	140A85-1	BRAKE ARM COMPLETE		1				
020	941152-7	FLAT WASHER 6		1				
021	232446-4	COMPRESSION SPRING 7		1				
022	679032-4	SOLENOID		1				
023	961011-9	STOP RING E-4		1				
024	327112-7	WIRE GUIDE PIPE		1				
025	422249-6	SPONGE SHEET B		1				
026	232442-2	COMPRESSION SPRING 3		1				
027	144901-3	MAGNET ARM CCOMPLETE		1				
028	266130-9	TAPPING SCREW BIND PT 3X16		1				
029	941051-3	FLAT WASHER 4		1				
030	211478-4	BALL BEARING 689		1				
031	183J56-9	HOUSING SET		1				
C10	263005-3	RUBBER PIN 6		2				
C20	252126-6	HEX. LOCKING NUT M4-7		2				
C30	931002-4	HEX. NUT M3		2				
C40	817A46-3	CAUTION LABEL C		1				
D10		INC. 54						
032	211136-2	BALL BEARING 6801LLB		1				
033	144904-7	MAGNET WHEEL COMPLETE		1				
034	266130-9	TAPPING SCREW BIND PT 3X16		2				
035	319665-0	REEL BEARING		1				
036	231294-8	COMPRESSION SPRING 6		2				
037	266130-9	TAPPING SCREW BIND PT 3X16		2				
038	458225-4	REEL BASE		1				
039	458216-5	REEL COVER		1				
040	458221-2	REEL BEARING CAM		1				

Model No. DTR180 CORDLESS REBAR TYING TOOL

Item	Parts No.	Description	I/C	Qty	N/O	Opt. 1	Opt. 2	Note
041	126743-7	STOPPER ASSEMBLY		1				
042	265199-0	+ PAN HEAD SCREW M3X8		2				
043	911017-7	PAN HEAD SCREW M3X12		1				
044	310866-3	BEARING RTAINER		1				
045	140B72-6	MAIN SLEEVE COMPLETE		1	*			
045-1	140J49-9	MAIN SLEEVE COMPLETE	<	1				
046	620913-5	SENSOR CIRCUIT		1				
047	266007-8	TAPPING SCREW BIND PT 3X10		1				
048	126838-6	GEAR ASSEMBLY		1				
049	619520-9	ROTOR		1				
050	629343-7	STATOR		1				
051	652069-6	FLAT HEAD SCREW M3X6		3				
052	266490-9	TAPPING SCREW PT 2X6		3				
053	140B68-7	MAIN CONTROLLER COMPLETE		1				
C10	817A37-4	INDICATION LABEL B		1				
054	183J56-9	HOUSING SET		1				
C10	263005-3	RUBBER PIN 6		2				
C20	252126-6	HEX. LOCKING NUT M4-7		2				
C30	931002-4	HEX. NUT M3		2				
C40	817A46-3	CAUTION LABEL C		1				
D10		INC. 31						
055	266130-9	TAPPING SCREW BIND PT 3X16		11				
056	458219-9	TRIGGER LOCK		1				
057	234037-7	COMPRESSION SPRING 5		1				
058	458220-4	TRIGGER		1				
059	632L94-5	SWITCH UNIT		1				
060	140B67-9	SWITCH PLATE COMPLETE		1				
C10	817A39-0	INDICATION LABEL C		1				
061	620924-0	SWITCH CIRCUIT		1				
062	643860-3	TERMINAL		1				
063	854L26-4	DTR180 SERIAL NO. LABEL		1				
064	265633-0	HEX SOCKET HEAD BOLT M3X20		1				
065	458217-3	CONTACT PLATE COVER		1				
066	347331-9	CONTACT PLATE		1				
067	256573-3	PIN 5		1				
068	144903-9	MAGNET BASE B COMPLETE		1				
069	911008-8	PAN HEAD SCREW M3X8		1				
070	265634-8	HEX SOCKET HEAD BOLT M3X8		1				
071	140C95-0	WIRE GUIDE B COMPLETE		1				
072	310815-0	CUTTER B		1				
073	310814-2	CUTTER A		1				
074	161872-9	LINK ARM A COMPLETE		1				
075	347328-8	TOP PLATE		1				
076	347326-2	GUIDE PLATE A		1				
077	961017-7	STOP RING E-3		2				
078	347330-1	PULL PLATE		1				
079	161873-7	LINK ARM B COMPLETE		1				
080	347370-9	GUIDE ARM A		1				

